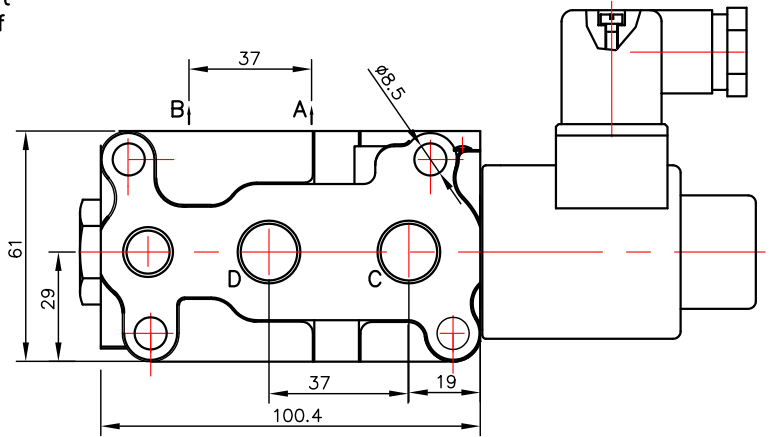
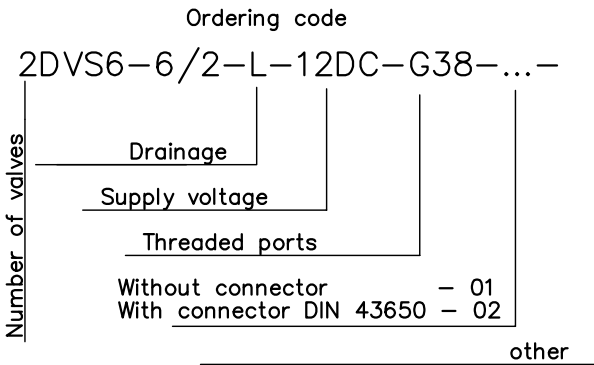
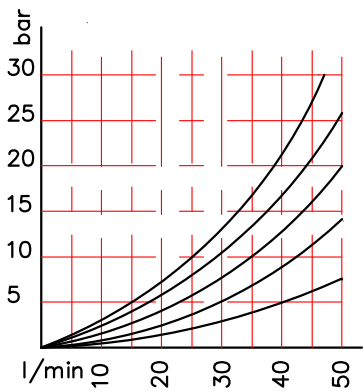
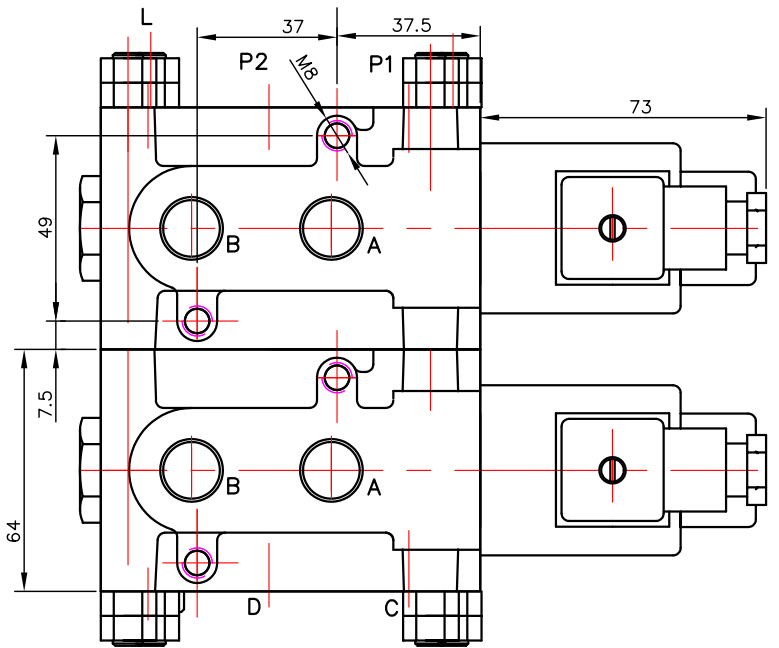
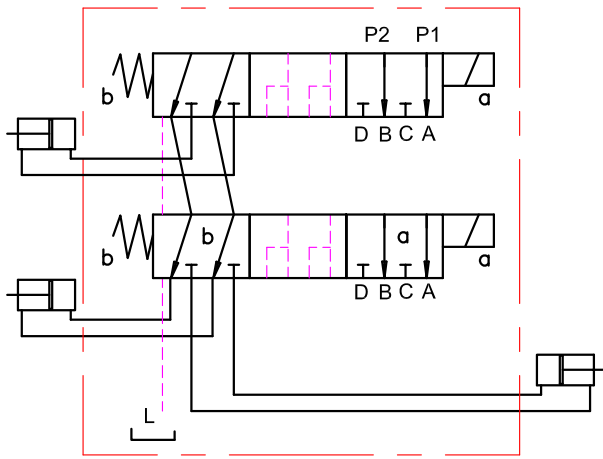
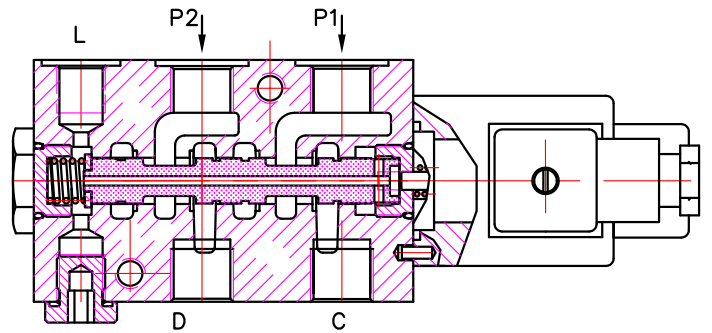


Solenoid directional control valve DVS6-6/2

Directional valves DVS6-6/2 are with direct solenoid operation. They are used as link between two consumers and the basic directional valve, when we want to control both consumers alternately by means of one basic directional control valve.



Supply voltage		12VDC or 24VDC
code	Threaded connections	
G38	P1, P2, A, B, C, D - G3/8 ; L = G1/4	
M18	P1, P2, A, B, C, D - M18x1.5 ; L = M14x1.5	
SAE	P1, P2, A, B, C, D - SAE8 ; L = SAE4	



for stacking 1-5 units

max P	with L	bar	315	Supply voltage	V	12; 24 DC
max P	without L	bar	210	Power	W	36, 29
Flow rate	max	l/min	50	Switching frequency	1/h	15 000
oil temperature		°C	-20+70	Ambient temperature		to 50°C
viscosity		mm/s	15-380	Coil temperature		to 180°C
filtration	NAS1638		9	Duty cycle		100%