

**OPEN CENTER CONTROL VALVE
FOR WESTENDORF**

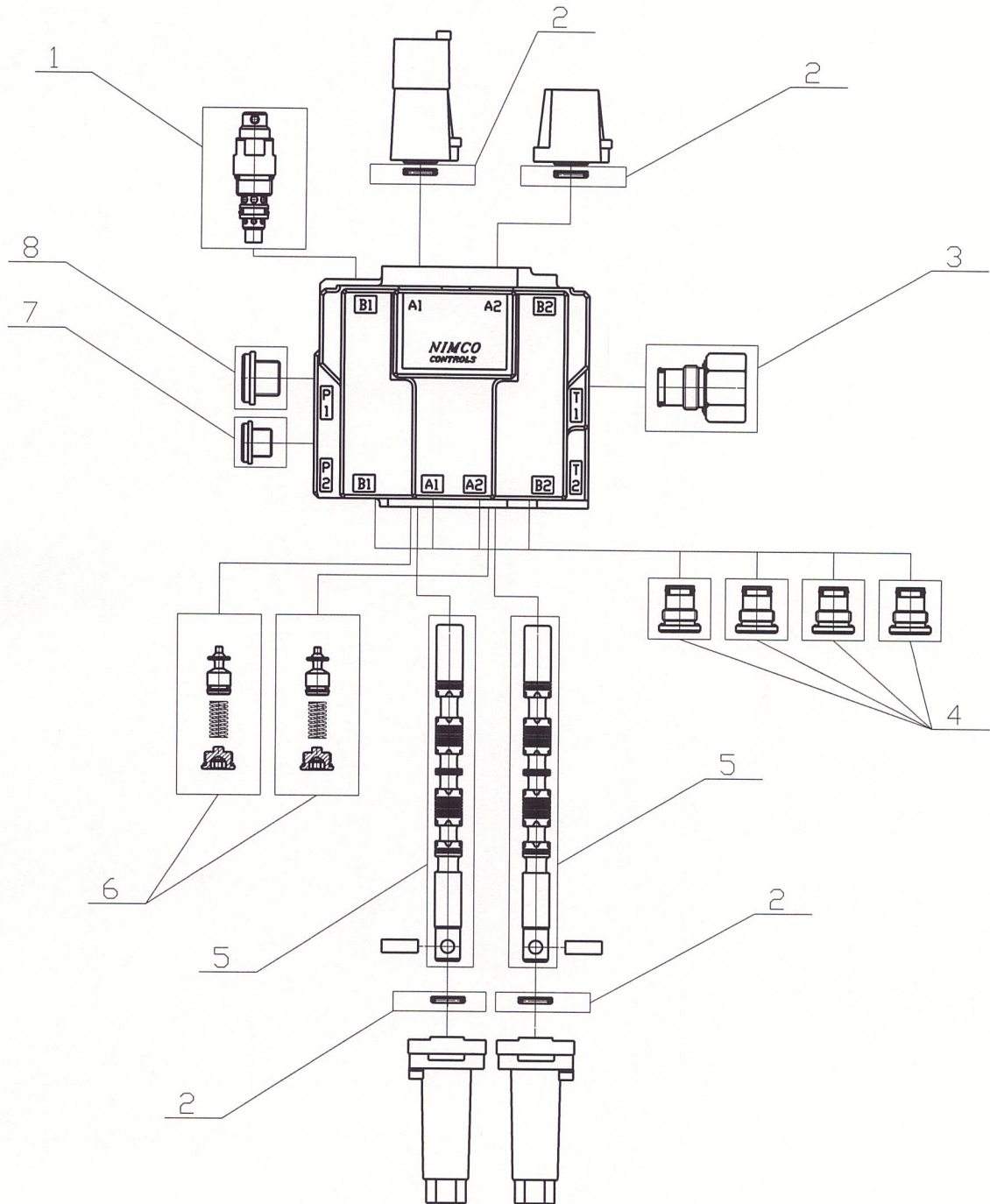
CV 452

NIMCO PART NO. 2S-45089

**SPARE PARTS
&
PRICE LIST**

INTERNAL SPARE PARTS

This document must not be copied without our written permission and the contents thereof must not be imparted to a third party nor be used for an unauthorized purpose. Contravention will be prosecuted.



INTERNAL SPARE PARTS

VALVE TYPE: 2S-45089, WESTENDORF

ITEM	DESCRIPTION	ARTIKEL NO.	NO. ITEM/VALVE
1	Main Relief valve	4S-4029spare	1
2	Spool Seal Complete	4S-4360	4
3	Cpl. Serial Fitting HPCO	4S-4841spare	1
4	Plug	4S-4525spare	4
5	Spool 3R	3B-4735spare	2
6	Check Valve Cpl.	4S-4549spare	2
7	G3/8"+Tredo3/8"	610038+470038	1
8	G1/2"+Tredo1/2"	610012+470012	1

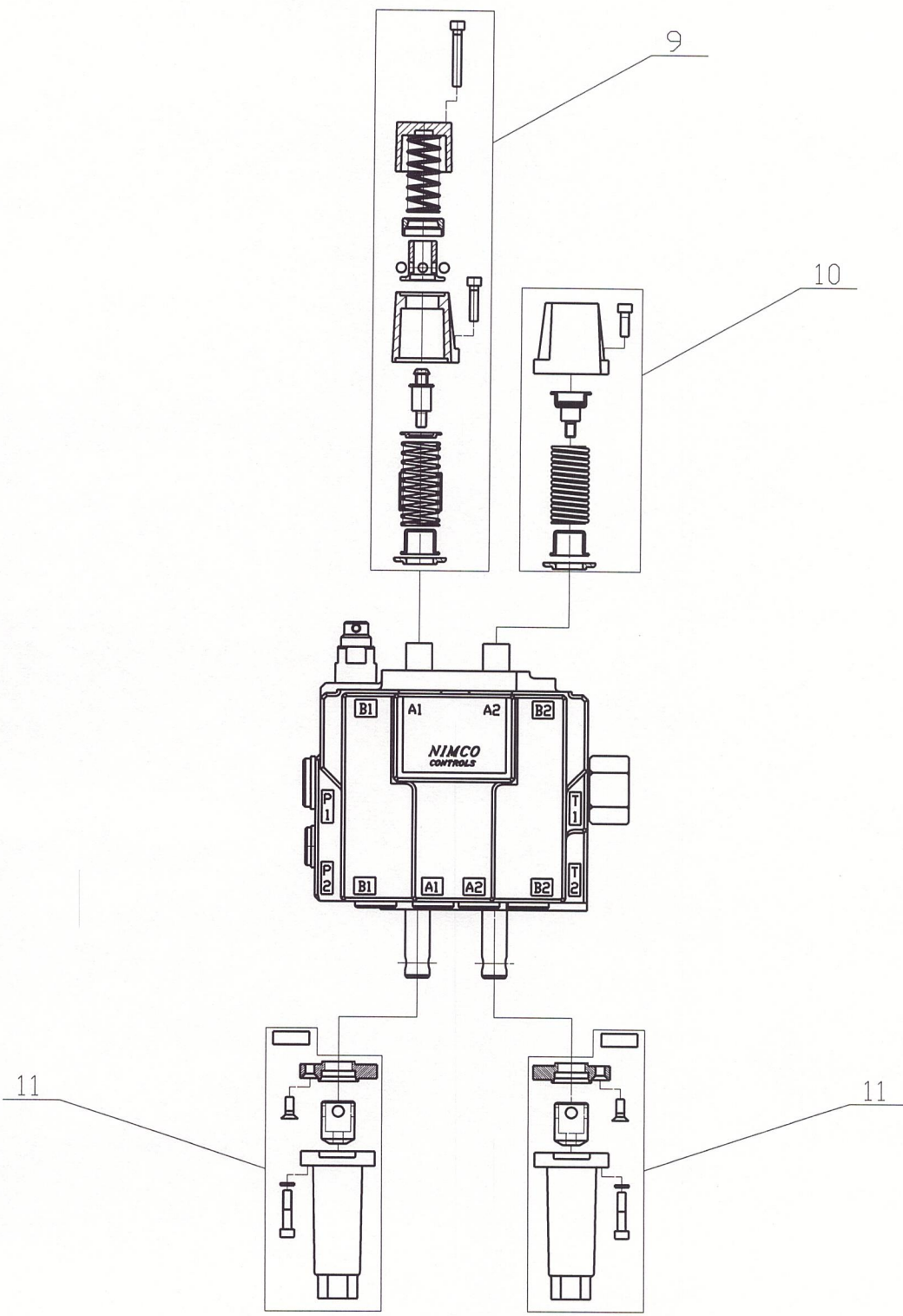
MECHANICAL SPARE PARTS

VALVE TYPE: 2S-45089, WESTENDORF

ITEM	DESCRIPTION	ARTIKEL NO.	NO. ITEM/VALVE
9	Spool Control 11	4S-4562spare	1
10	Spool Control 9	4S-4566spare	1
11	Wire Control 3W	4S-5118spare	2

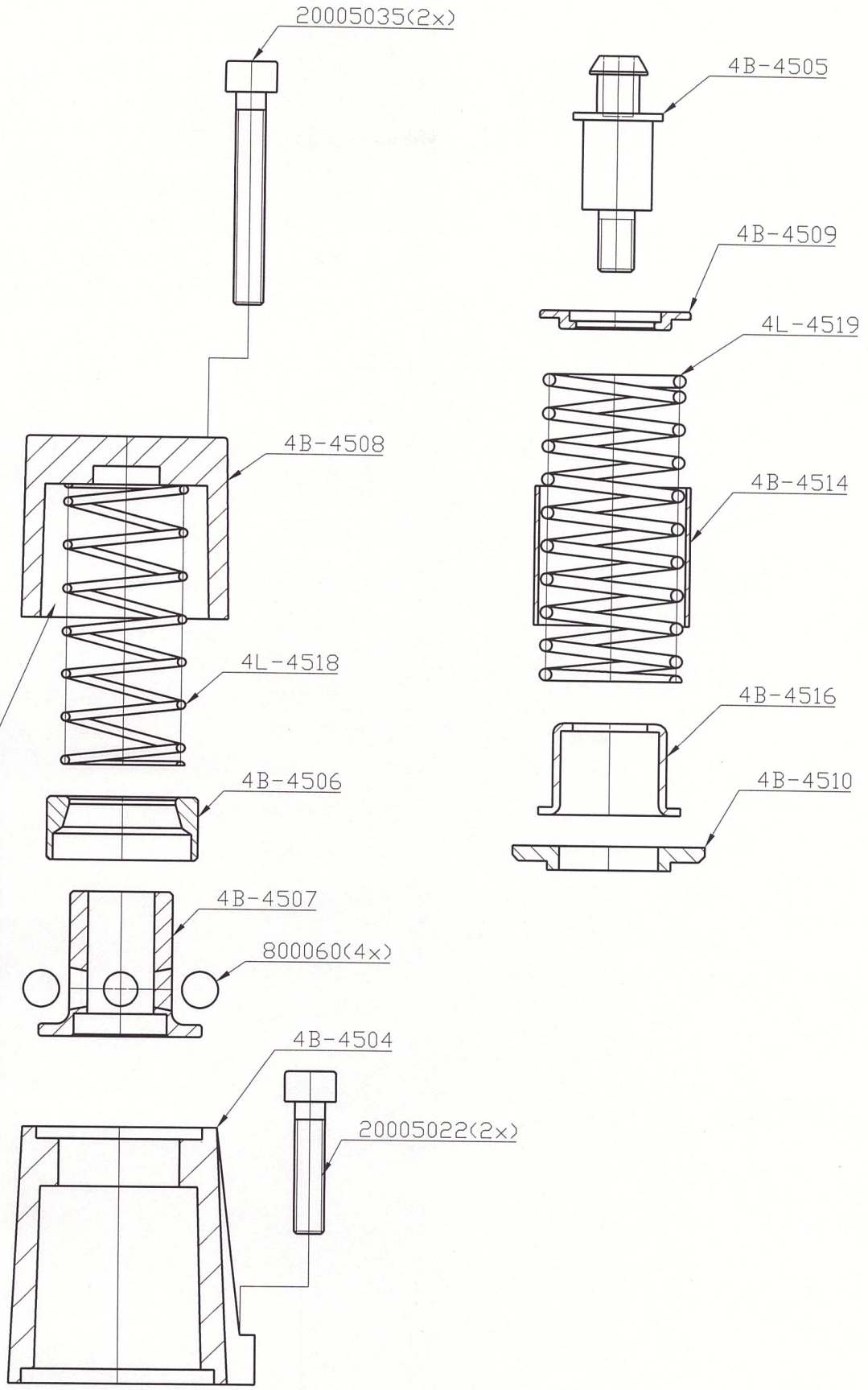
MECHANICAL SPARE PARTS

This document must not be copied without our written permission and the contents thereof must not be imparted to a third party nor be used for an unauthorized purpose. Contravention will be prosecuted.



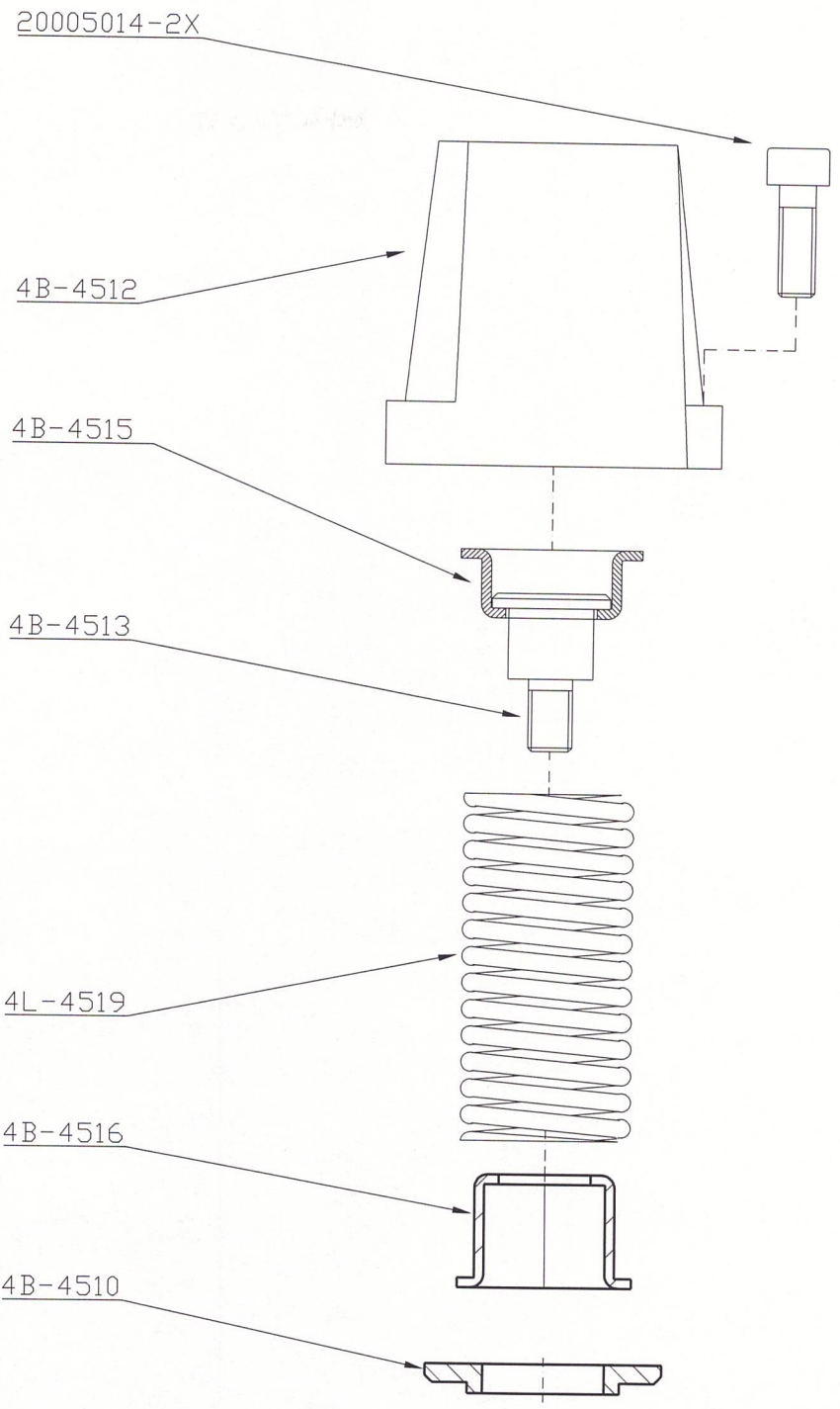
This document is not to be copied without our written permission. The contents thereof must not be imparted to a third party not be used for an unauthorized purpose. Contravention will be prosecuted.

Grease: Lubetec red
guard NLG I-2



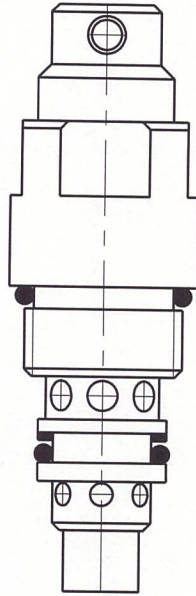
Mode		Revisions			Date		Sign				
Specifications		Material		Drawn by		Checked		Appr. by			
Tolerances ISO 2768-1,-2		Surf. treatm.		PC				Scale			
Burr removed		----		010817				1:1			
NIMCO NIMCO CONTROLS AB				Title Spool Control 11 Spring centered+Float				Assy. CV 452			
				Drwg.no. 4S-4562spare							

This document must not be copied without our written permission and the contents thereof must not be imparted to a third party not be used for an unauthorized purpose. Contravention will be prosecuted.



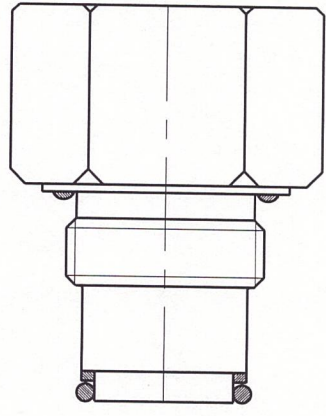
Mode	Revisions				Date	Sign	
	Specifications	Material	Drawn by	Checked	Appr. by	Scale	
	Tolerances ISD 2768-1,-2 Burrs removed	Surf.treatm.	PC 010817			1:1	
 NIMCO CONTROLS AB			Title Spool Control 9 Spring centered			Assy. CV 452 Drwg.no. 4S-4566spare	

This document must not be copied without our written permission and the contents thereof must not be imparted to a third party nor be used for an unauthorized purpose. Contravention will be prosecuted.



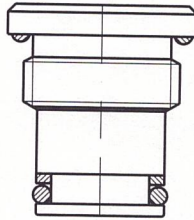
Mode	Revisions					Date	Sign
	Specifications	Material	Drawn by	Checked	Appr. by	Scale	
	Tolerances ISO 2768-1,-2 Burr removed	Surf. treatm.	PC 010817			1:1	
 NIMCO NIMCO CONTROLS AB		Title Main Relief valve			Assy. CV 452		
					Drwg. no. 4S-4029spare		

This document is not to be copied without our written permission. And the contents thereof must not be imparted to a third party not be used for an unauthorized purpose. Contravention will be prosecuted.



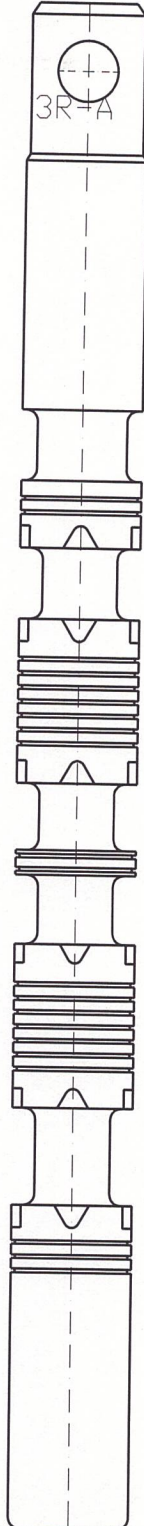
Mode		Revisions				Date		Sign	
		Specifications		Material		Drawn by		Checked	
		Tolerances ISO 2768-1,-2		-----		PC			
		Burr removed		Surf.treatm. -----		010817			
 NIMCO CONTROLS AB		Title CPL. SERIAL FITTING H.P.C.O. POWER BEYOND SLEEVE THREAD G3/4" OUTSIDE-SAE10 INSIDE				Assy.			
						CV 452			
						Drwg.no.		4S-4841spare	

This document must not be copied without our written permission and the contents thereof must not be imparted to a third party nor be used for an unauthorized purpose. Contravention will be prosecuted.



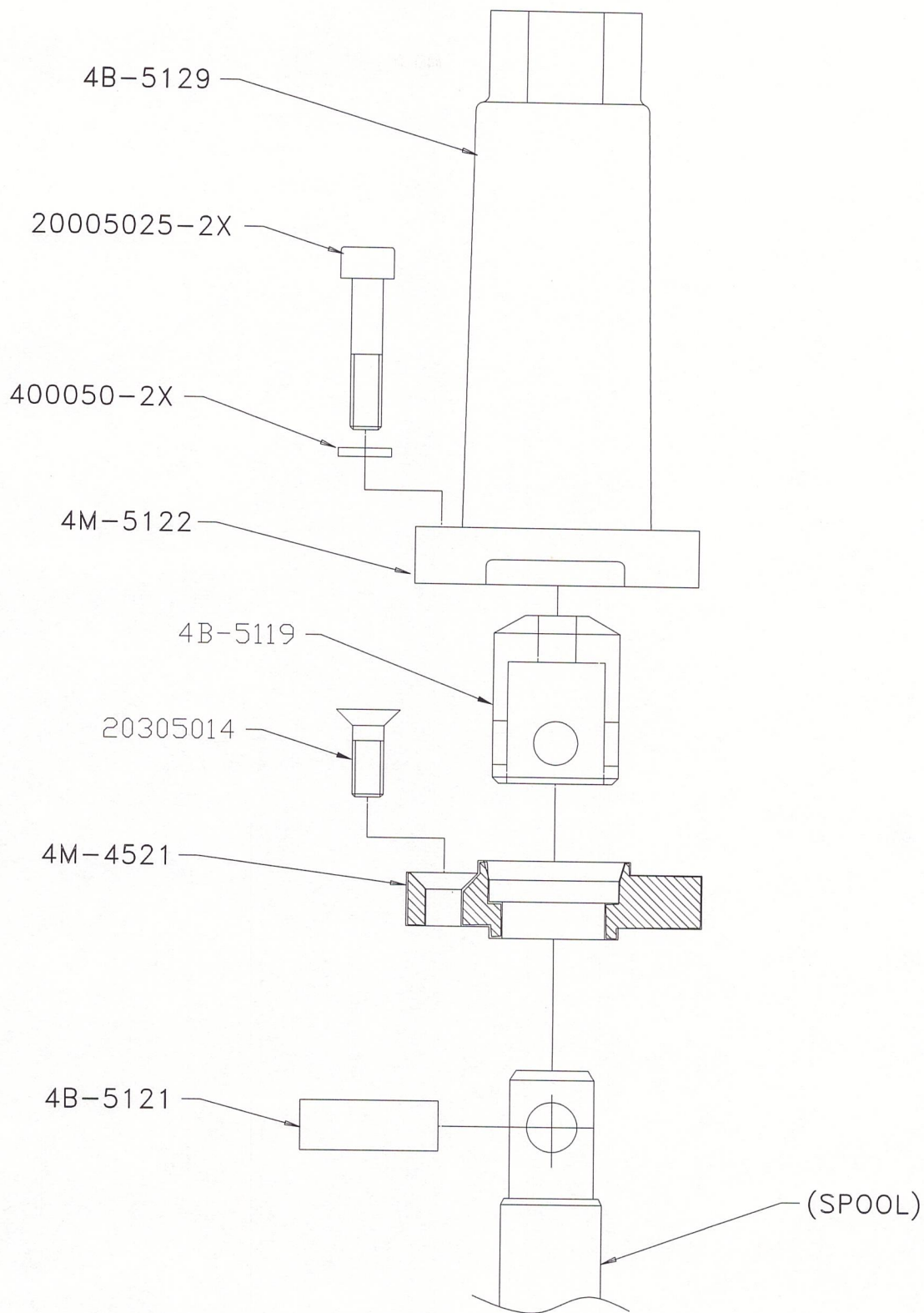
Mode	Revisions				Date	Sign
	Specifications	Material	Drawn by	Checked	Appr. by	Scale
	Tolerances ISO 2768-1,-2 Burr removed	Surf. treatm.	PC 010817			1:1
NIMCO NIMCO CONTROLS AB		Title			Assy.	
		PLUG			CV 452	
					Drwg. no. 4S-4525spare	

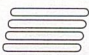
This document r not be copied without our written permission, and the contents thereof must not be imparted to a third party not be used for an unauthorized purpose. Contravention will be prosecuted.



Mode		Revisions			Date		Sign	
		Specifications	Material	Drawn by	Checked	Appr. by	Scale	
		Tolerances ISO 2768-1,-2	Surf. treatm.	PC			1:1	
		Burrs removed		010821				
		Title			Assy.			
NIMCO CONTROLS AB		SPOOL 3R			CV 452			
					Drwg.no.			
					3B-4735spare			

This document must not be copied without our written permission and the contents thereof must not be imparted to a third party nor be used for an unauthorized purpose. Contravention will be prosecuted.



Mode		Revisions			Date	Sign
Specifications		Material	Drawn by	Checked	Appr. by	Scale
Tolerances ISO 2768-1,-2		Surf. treatm.	PC			1:1
Burr's removed			010816			
 NIMCO NIMCO CONTROLS AB		Title Wirecontrol 3W CV 452			Assy. CV 452	
					Drwg. no. 4S-5118spare	